



# AFFINITY™ RESIDENTIAL PLASTIC TOILET SEAT



**MODEL #**

**COLOR #**

**380E3**

**DESCRIPTION :**

Closed front with cover, elongated, injection molded solid plastic toilet seat. Features two large, Super Grip Bumpers™, color-matched Whisper•Close® with Easy•Clean & Change® Precision Seat Fit™ Adjustable hinges and STA-TITE® Seat Fastening System™. Hinges adjust up to 1/2" forwards and backwards. This seat complies with IAPMO/ANSI Z124.5-2013 Plastic Toilet Seats as a class Residential.

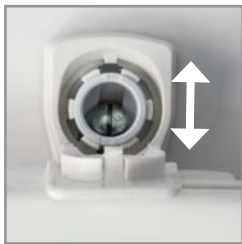
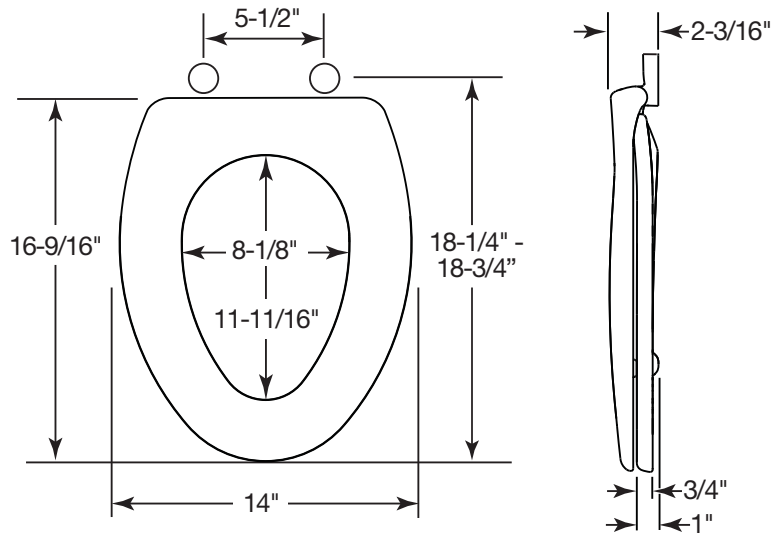
**SPECIFICATIONS :**

- Size: Elongated
- Material: Plastic
- Style: Closed Front with Cover
- Bumpers: Two
- Hinges: Plastic Whisper•Close® with Easy•Clean & Change® Precision Seat Fit™
- Fastening System: STA-TITE® Seat Fastening System™

**FEATURES :**

- Precision Seat Fit™ Adjustable Hinges
- Whisper•Close®
- Easy•Clean & Change®
- STA-TITE® Seat Fastening System™
- Super Grip Bumpers™

**DIMENSIONS :**



**PRECISION SEAT FIT™  
1/2" ADJUSTABLE HINGES**



**WHISPER•CLOSE®  
FEATURE**



**EASY REMOVAL OF SEAT  
FOR THOROUGH CLEANING**



**STA-TITE® SEAT  
FASTENING SYSTEM™**



**SUPER GRIP BUMPERS™**

Proudly Made in the USA

Church Seats, Sheboygan Falls, WI 53085  
www.ChurchSeats.com

Phone: 800-233-7328 Fax: 800-292-3647