



AFFINITY™ with iLumaLight™ RESIDENTIAL PLASTIC TOILET SEAT



MODEL #

COLOR #

200E3NL

DESCRIPTION:

Closed front with cover, round, injection molded solid plastic toilet seat. Features two large, Super Grip Bumpers™, color-matched Whisper•Close® with Easy•Clean & Change® Precision Seat Fit™ Adjustable hinges and STA-TITE® Seat Fastening System™. Hinges adjust up to 1/2" forwards and backwards. Seat also features iLumaLight™, an 8-hour night light that provides the perfect amount of illumination, eliminating disruption of normal sleep patterns. This seat complies with IAPMO/ANSI Z124.5-2013 Plastic Toilet Seats as a class Residential.

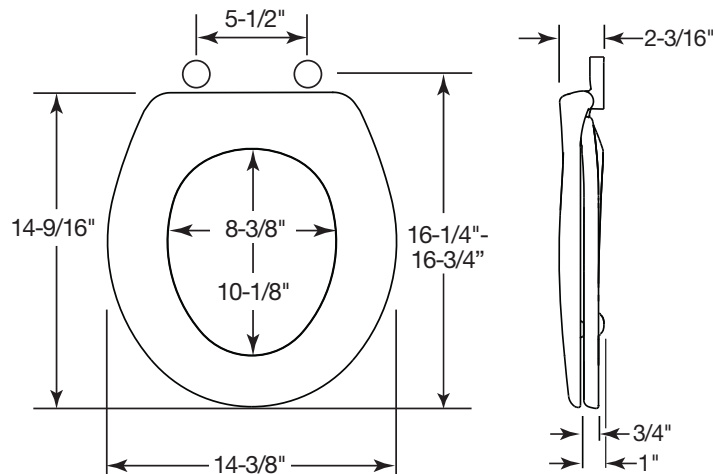
SPECIFICATIONS:

Size:	Round
Material:	Plastic
Style:	Closed Front with Cover
Bumpers:	Two
Hinges:	Plastic Whisper•Close® with Easy•Clean & Change® Precision Seat Fit™
Fastening System:	STA-TITE® Seat Fastening System™

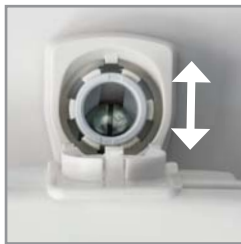
FEATURES:

- iLumaLight™ Night Light
- Precision Seat Fit™ Adjustable Hinges
- Whisper•Close®
- Easy•Clean & Change®
- STA-TITE® Seat Fastening System™
- Super Grip Bumpers™

DIMENSIONS:



iLumaLight™
8-HOUR NIGHT LIGHT



PRECISION SEAT FIT™
1/2" ADJUSTABLE HINGES



WHISPER•CLOSE®
FEATURE



EASY REMOVAL OF SEAT
FOR THOROUGH CLEANING



STA-TITE® SEAT
FASTENING SYSTEM™



SUPER GRIP BUMPERS™

Proudly Made in the USA

Bemis Manufacturing Co., Sheboygan Falls, WI 53085
www.BemisSeats.com

Phone: 800-558-7651 Fax: 800-292-3647

©2016 0B7012375